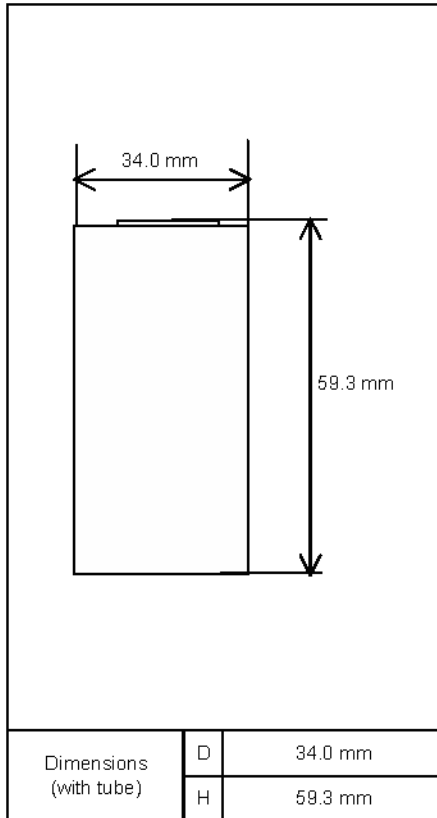


Specifications

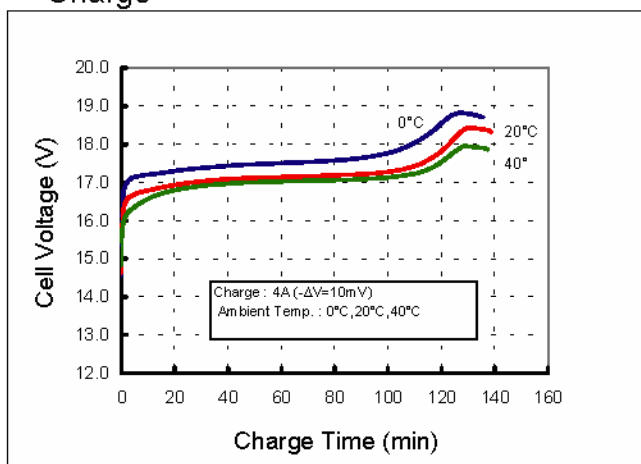


| | | | |
|-------------------------------------------------------------|---------------------|---------------------------------|--------------|
| Type : Nickel-Metal Hydride Battery | | Size : D | |
| Capacity ϕ | Typical | 9000mAh | |
| | Minimum | 8450mAh | |
| Nominal Voltage | | 1.2V | |
| Charging Current \times Time | Fast Charge ϕ | 5000 mA \times about 2h | |
| Ambient Temp. | Charge Condition | Fast Charge ϕ | 0°C - 40°C |
| | Discharge Condition | | 0°C - 50°C |
| | Storage Condition | Less than 30days | -20°C - 50°C |
| Less than 90days | | -20°C - 40°C | |
| Less than 1year | | -20°C - 30°C | |
| Internal Impedance ϕ (after discharge to E.V.=1.0V) | | Approx. 5m Ω (at 1000Hz) | |
| Weight ϕ | | Approx. 178 g | |
| Size ϕ : (Diameter) \times (Height) | | 34.0(D) \times 59.3(H) mm | |

- 1) Single cell capacity under the following condition.
- 1) Charge : 900mA \times 16h, Discharge : 1800mA (E.V.=1.0V) at 20°C
- 2) Use recommended charging system.
- 3) After a few charge and discharge cycles under the above 1) condition.
- 4) With tube.

Typical Characteristics

Charge



Discharge

